



PRODUCT DETAILS

The Bianco AUTOSUB-X Submersible Pump is specially designed and manufactured for the rainwater industry.

Paired with an Aquasaver automatic changeover valve this kit provides automatic mains backup for Pressure Pump supply systems.

The low level control float on the pump prevents aerated water entering the household supply in the event of low water level

APPLICATIONS

- Household water supply
- Drinking water
- Gardening

PUMP FEATURES

- Compact
- Easy to install and use
- Automatic on/off
- Intelligent controller
- Dry-run protection
- Water cooled motor

TECHNICAL DATA

RATED POWER (W)	750
MAX. FLOW [LPM]	100
MAX. FLOW [M3/H]	6
MAX. HEAD [M]	45
MOTOR PROTECTION LEVEL	Class F
PROTECTION CLASS	IPX8
WORKING TEMPERATURE	-5°-40°C
LIQUID TEMPERATURE	0°C-35°C
MAX. DIVING DEPTH	7m
MAX. DIA. OF PARTICLE	1mm
MOTOR	Heavy Copper winding

RATED VOLTAGE	220V-240V
RATED CURRENT	5.3A @ 230V
POWER CABLE TYPE	H07RN-F
LENGTH OF POWER CABLE	10m
PROTECTION CLASS	IPX8
IMPELLERS	4
OUTLET	1" BSPF
PACKAGE DIMENSION	350x240x540mm
GROSS WEIGHT (KG)	12kg
AUTOMATION FUNCTION	iSENSOR Auto Control + Fixed Arm Float Switch
CUT IN PRESSURE	2.5 bar

PRODUCT DETAILS

The Acqusaver Valve is a fully automatic mechanical rainwater/mains changeover device designed for a pressure pump supply system for harvesting rainwater for the toilet, laundry and household applications with automatic mains water backup. It's suitable for two toilets, a washing machine and a tap.

APPLICATIONS

- Rainwater harvesting

VALVE FEATURES

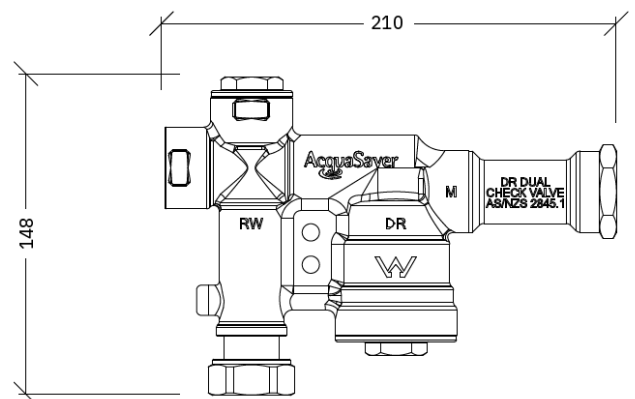
- Patented design
- Easy to install
- Watermark approved
- Smart Watermark approved
- 2 year warranty
- No regular maintenance required
- No electrical consumption or electrical components
- Solid brass construction – Fully waterproof – Built to last
- Suitable for any pressure pump with sufficient head pressure
- Can be mounted in any position
- Built-in dual check valve for backflow prevention
- Solid Brass mounting bracket (optional)



TECHNICAL DATA

MAX MAINS PRESSURE	500 KPa recommended
MAX PUMP PRESSURE	600 KPa
MIN PUMP PRESSURE	300 KPa Recommended
RECOMMENDED MIN-PUMP CUT-IN PRESSURE	2 Bar
MAX FLOW RATE	50 LPM
MAX WATER TEMPERATURE	40° C
MIN WATER TEMPERATURE	0° C*
PUMP INLET	25mm 1" BSP F
MAINS WATER INLET	20mm 3/4" BSP
OUTLET	20mm 3/4" BSP
WEIGHT	0.85 Kg

*Ensure proper protection against freezing weather

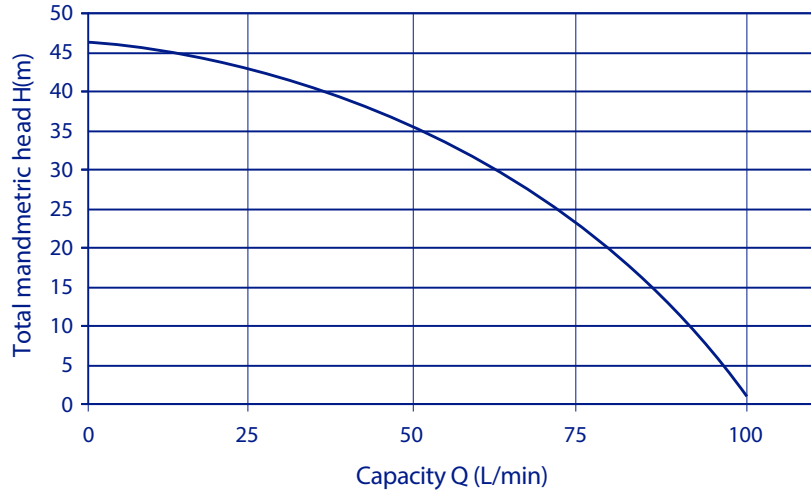


PRODUCT DATA SHEET

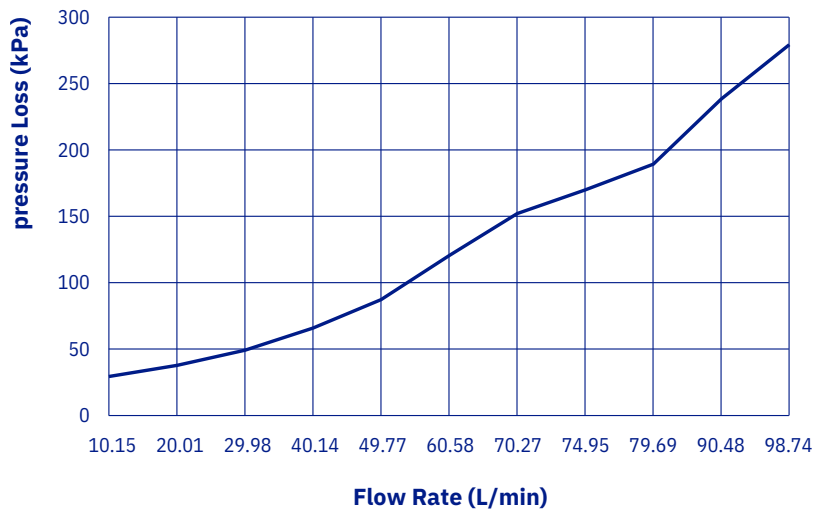
RAIN HARVESTING AQUASAVER KIT

BIA-A2AUTOSUB - 810561

CURVE

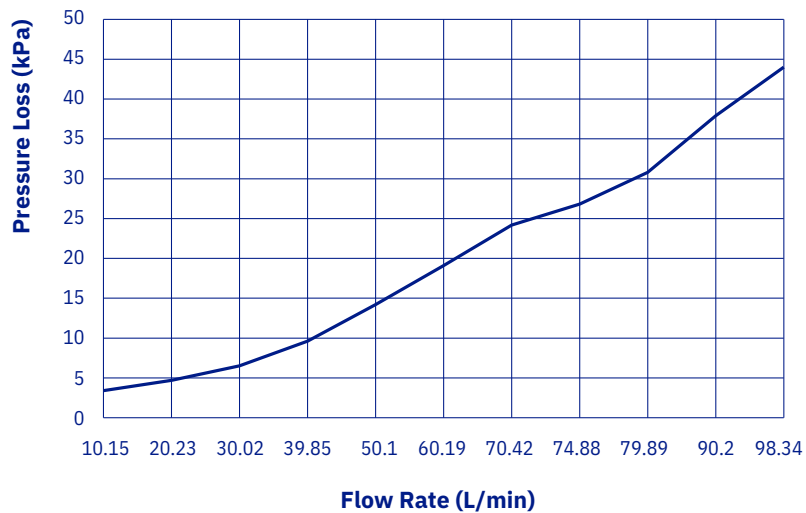


Flow vs. Pressure curve – Mains Inlet



Flow Rate (L/min)

Flow vs. Pressure curve – Pump Inlet



Flow Rate (L/min)

PRODUCT DATA SHEET

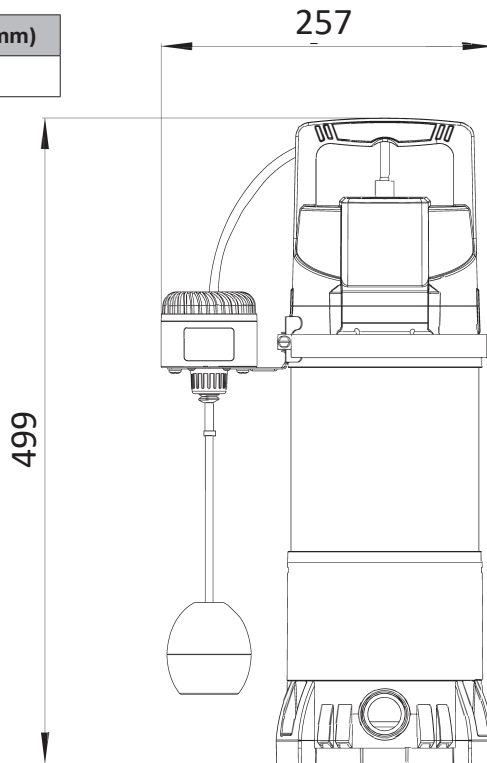
RAIN HARVESTING AQUASAVER KIT

BIA-A2AUTOSUB - 810561

DIMENSIONS

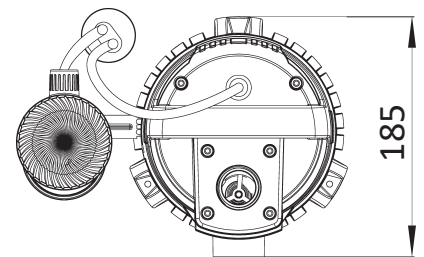
DIMENSIONS (mm)

257 x 499



DIAMETER (mm)

159



WARRANTY / CERTIFICATIONS

